

**KOKUYO ING**  
*360° Gliding Chair* **ing**

**Understanding and Specifying**

**SPEC GUIDE**

# C O N T E N T S

1 Overall Features.....	01
2 Detail & Adjustment Features.....	02
3 Upholstery .....	03
4 Dimensions (Gas Stroke 90) .....	04
5 Dimensions (Gas Stroke 120) .....	10
6 Material info .....	16
7 Product options for Body and Leg.....	17
8 Code Logic.....	18
9 Recyclability .....	19

# 1 Overall Features

## Lumbar-Less Design

Fits various body shapes without adjustment.

ing's 360°glide follows the natural pelvic angle to maintain the body's natural spinal S-shape curve keeping the body aligned with complete freedom of movement

## Front Free Tilt

Relieves pressure on the under-thighs.

## Seat Height Adjustment Lever

Adjustable range 120mm range

## Casters

Available in hard nylon casters suitable for soft flooring or polyurethane castors suitable for hard flooring.  
Castor diameter:  $\varnothing$ 60mm

## Fixed Grip Arms

The arms are independent to the glide, allowing complete movement while gripping the arms.

\*Adjustable Grip Arms also available.

## 3D Posture Support seat

The 3D posture support seat evenly distributes body weight and supports seating posture by dispersing body weight and prevents sliding when leaned forward.

## Gliding Stopper (Gliding On/Off modes)

Switch between the gliding mode and non-gliding mode to preference.

## Five-star base

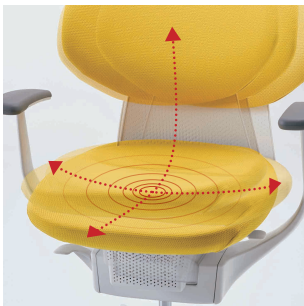
Available in reinforced nylon or polished aluminum.



## 360°Gliding System

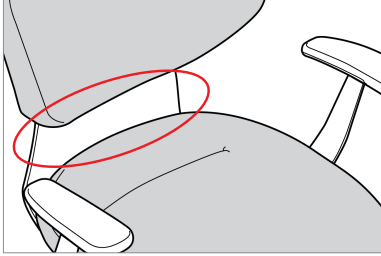
'ing' is equipped with a gliding mechanism which freely moves 360°according to the subtle movements of the human body.

It follows the forward tilt and backward tilt movements, up to left and right and diagonal twists by a combination of two layers of mechanisms. It brings out the body's natural movements and activates the body and brain.



## 2 Details & Adjustment Features

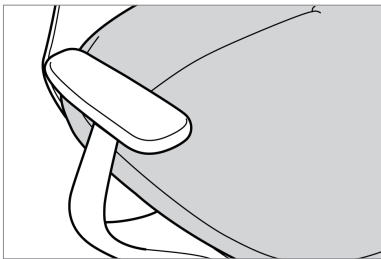
### Product Details



#### Lumbar-Less Design

The gliding naturally creates the spinal S-shaped curve of the backbone.

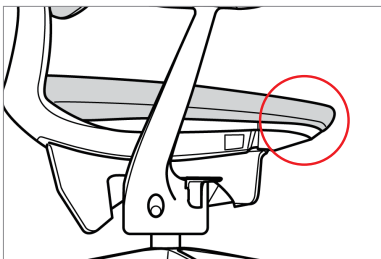
The backrest design ergonomically designed to support maintain spinal S-shape curvature.



#### Fixed Grip Arms

The front of the grip is covered with padded cushion to be gripped with ease and confidence.

Made from aluminum die-cast with a polyurethane skin mold grip.



#### Front Free Tilt

The frontal part of the seat gently curls inwards responding to various body physique and posture..

#### Knock-down carton

ing chairs will ship knock down with the 5-star base and pneumatic cylinder separated from the chair.

Assembly by a qualified dealer installer is required.

(Tip: Assembly instructions are included.)

#### Fully assembled carton

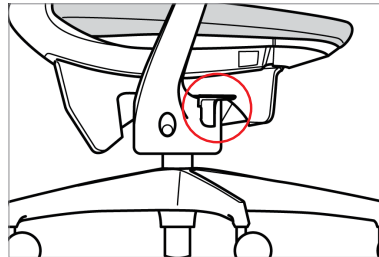
Request for fully assemble carton means ing chairs will ship fully assembled.

### Adjustment Features

#### ► Adjustability Instructions

are included with every chair.

#### <Seat Adjustment>

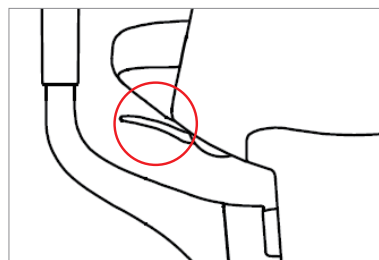


#### Seat Height

Adjusts pneumatically. To lower, hold lever up while seated.

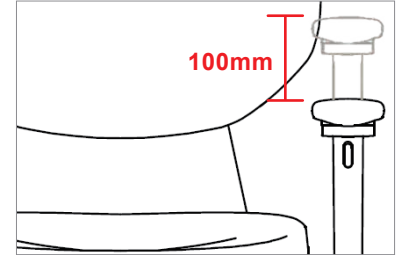
To raise, hold handle up and keep weight off the chair.

Adjustable range:120mm



#### <Adjustable Grip Arms>

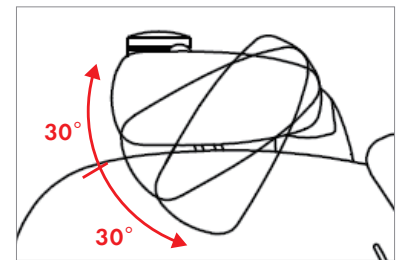
Height and inward pivot adjustments are included with the adjustable arms.



#### Arm Height

Push the button below the arm pad move the arms up or down to the desired height. Release the button to lock at the desired position.

djustable range:100mm



#### Arm Pivot

Pivot the arms inwards by holding the front of the arm pads.

The angle of the arms can be positioned at pre-set positions of inwards 30° or inwards 60°.

Adjustable angle: Inwards 30°, Inwards 60°

#### Gliding stopper

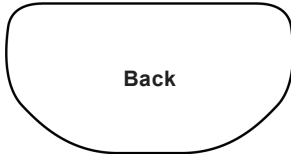
(Gliding On/Off modes)

The off mode locks the chair in the upright position.

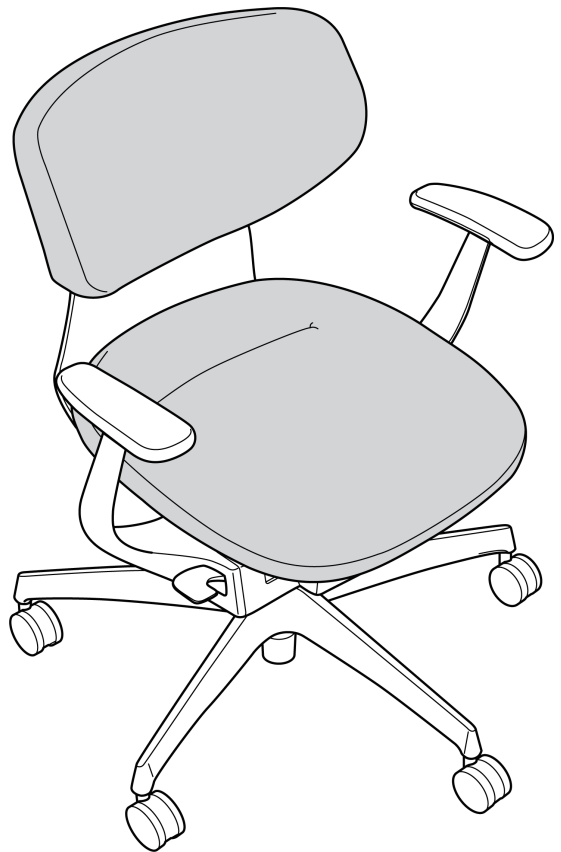
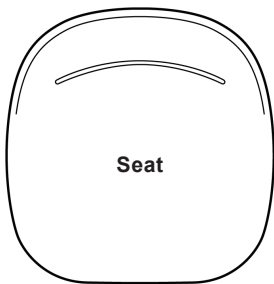
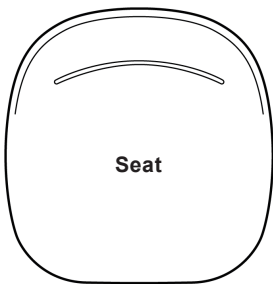
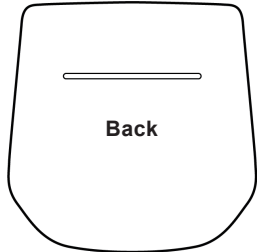
(For safety, Anti-sway lock is fitted on all models to stop swaying when not in use)

# 3 Upholstery

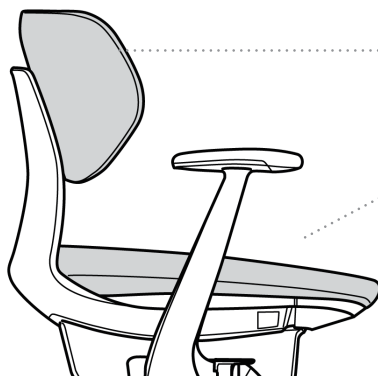
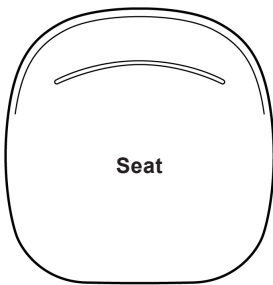
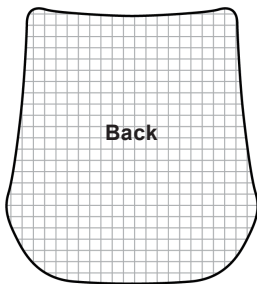
Fabric (Wide back)



Fabric (Wide back)



Fabric (Mesh back)



Back

Seat

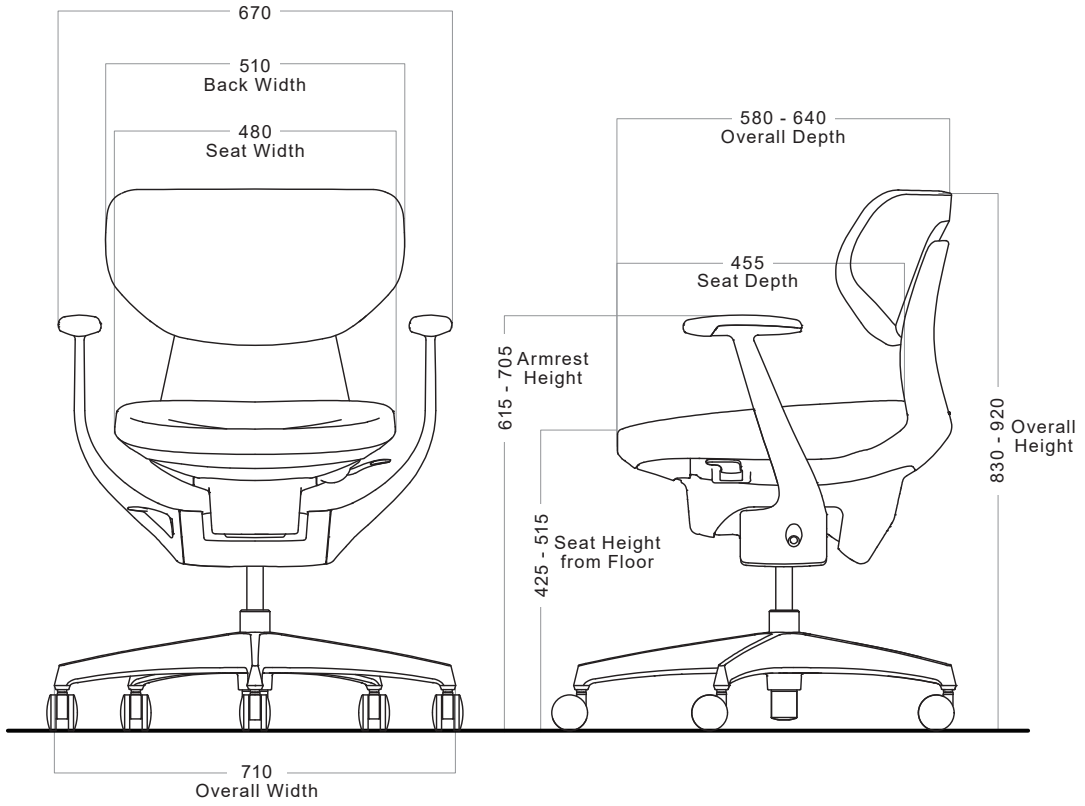
## Seat and Back assemblies

Can be removed and replaced if damaged.

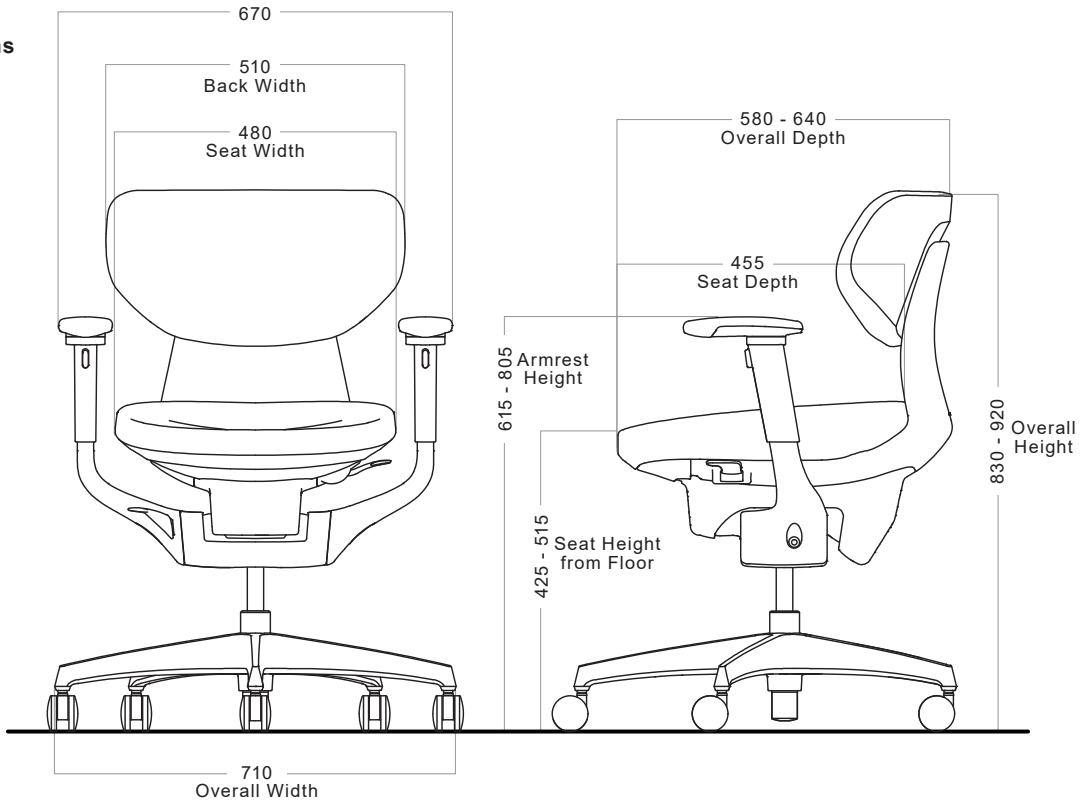
# 4 Dimensions (Gas Stroke 90)

## Fabric Type

### Wide Back / Fixed Arms



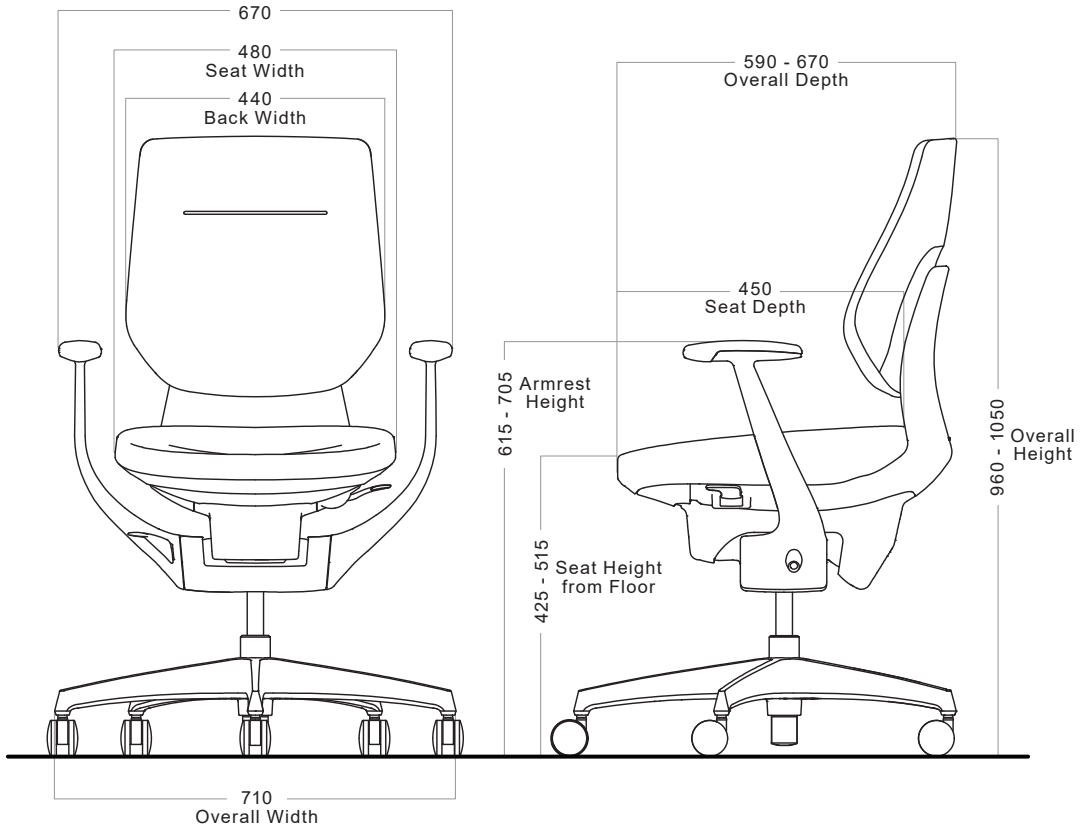
### Wide Back / Adjustable Arms



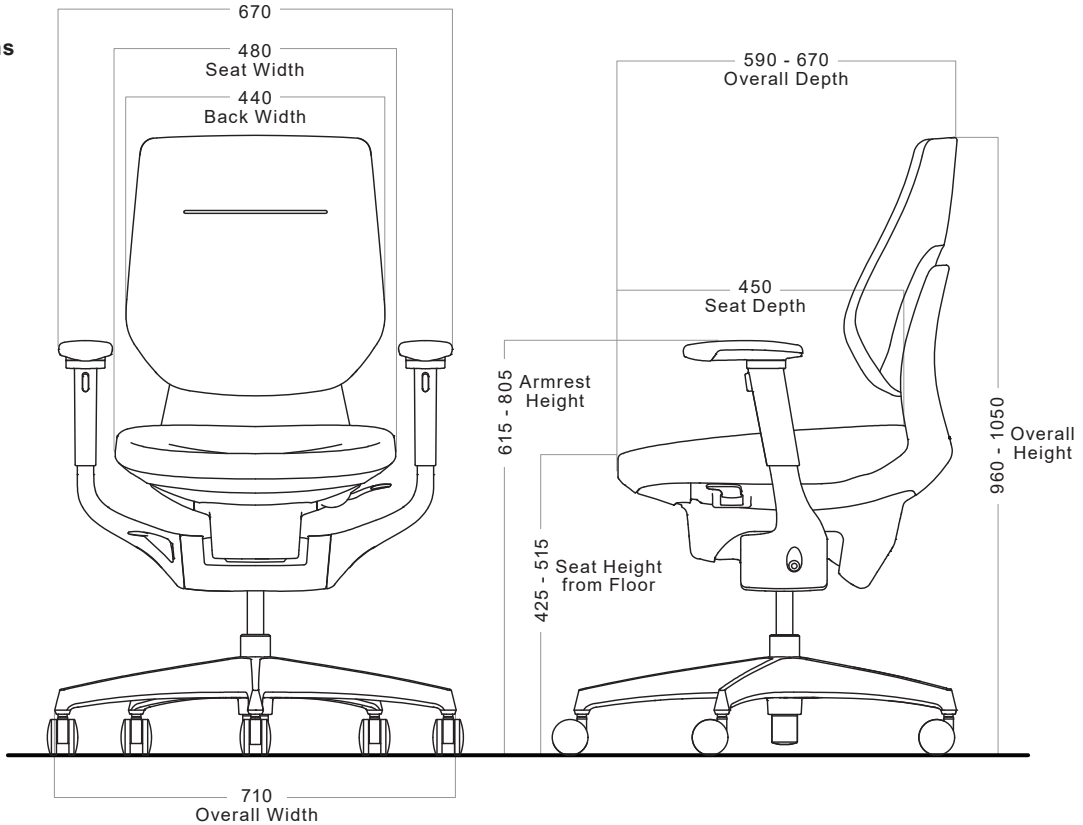
# 4 Dimensions (Gas Stroke 90)

## Fabric Type

### Tall Back / Fixed Arms



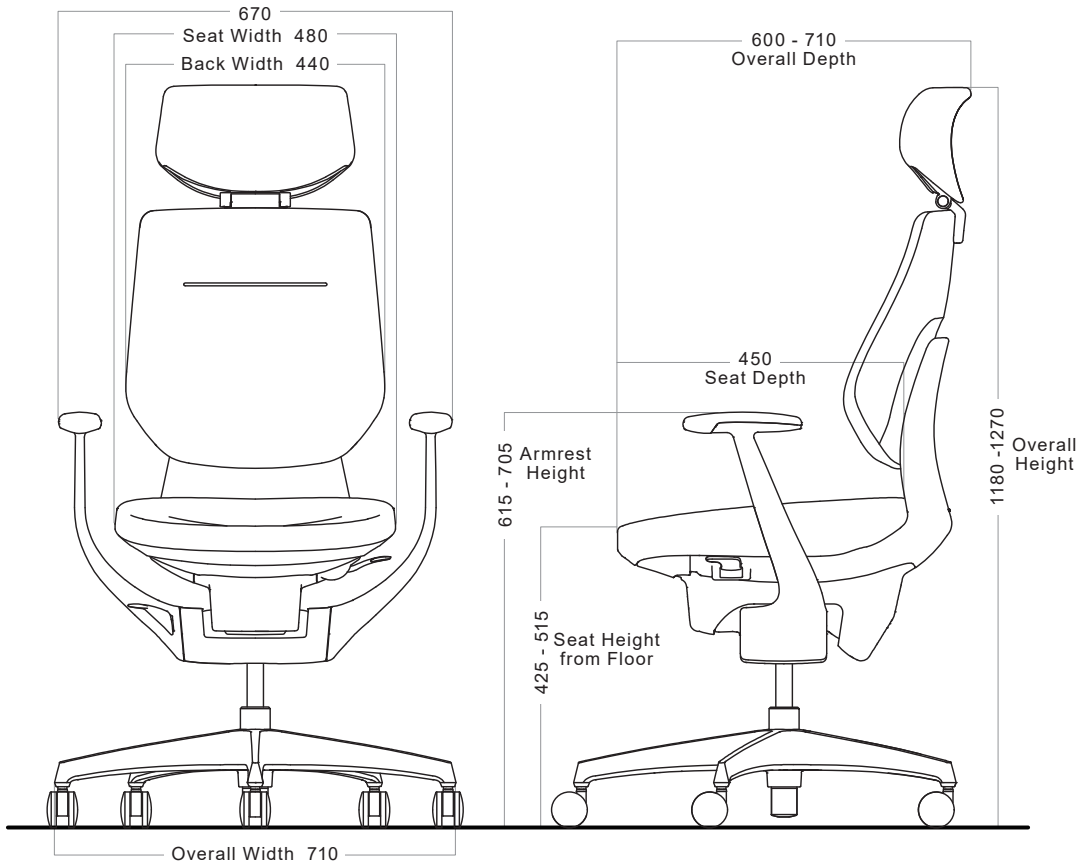
### Tall Back / Adjustable Arms



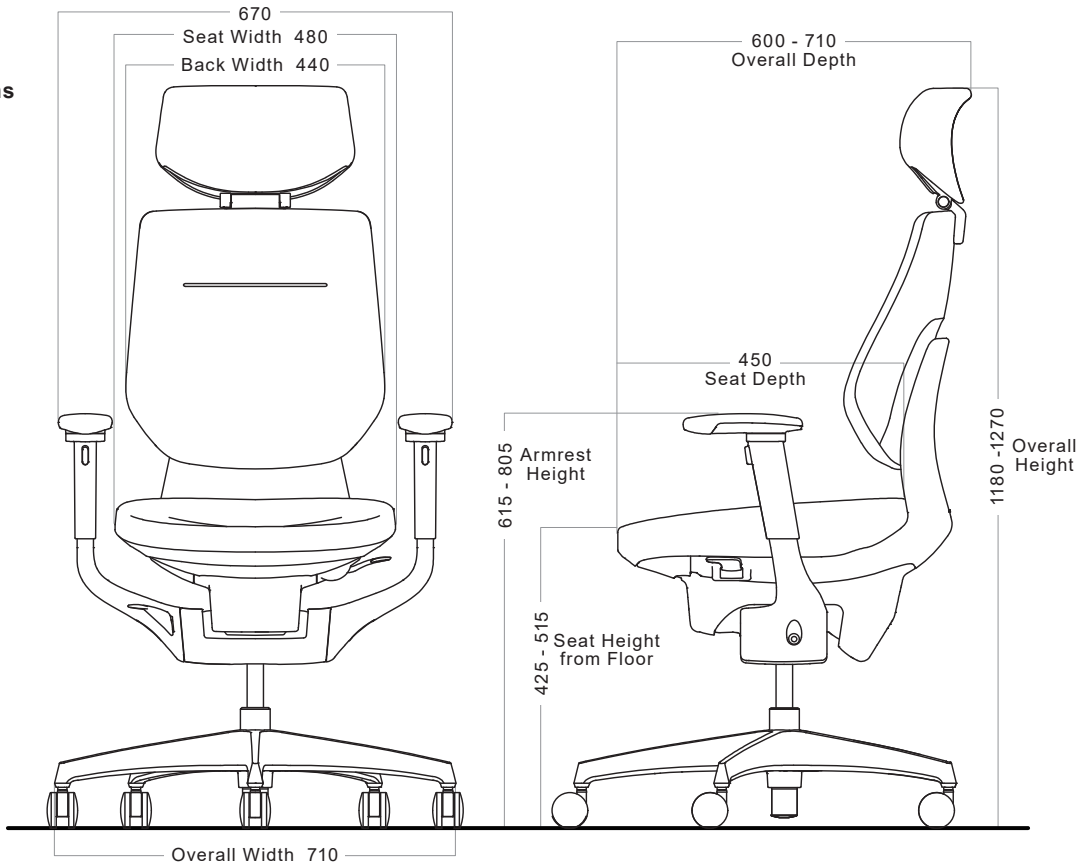
# 4 Dimensions (Gas Stroke 90)

## Fabric Type

**Tall Back  
(w/Headrest)  
Fixed Arms**



**Tall Back  
(w/Headrest)  
Adjustable Arms**

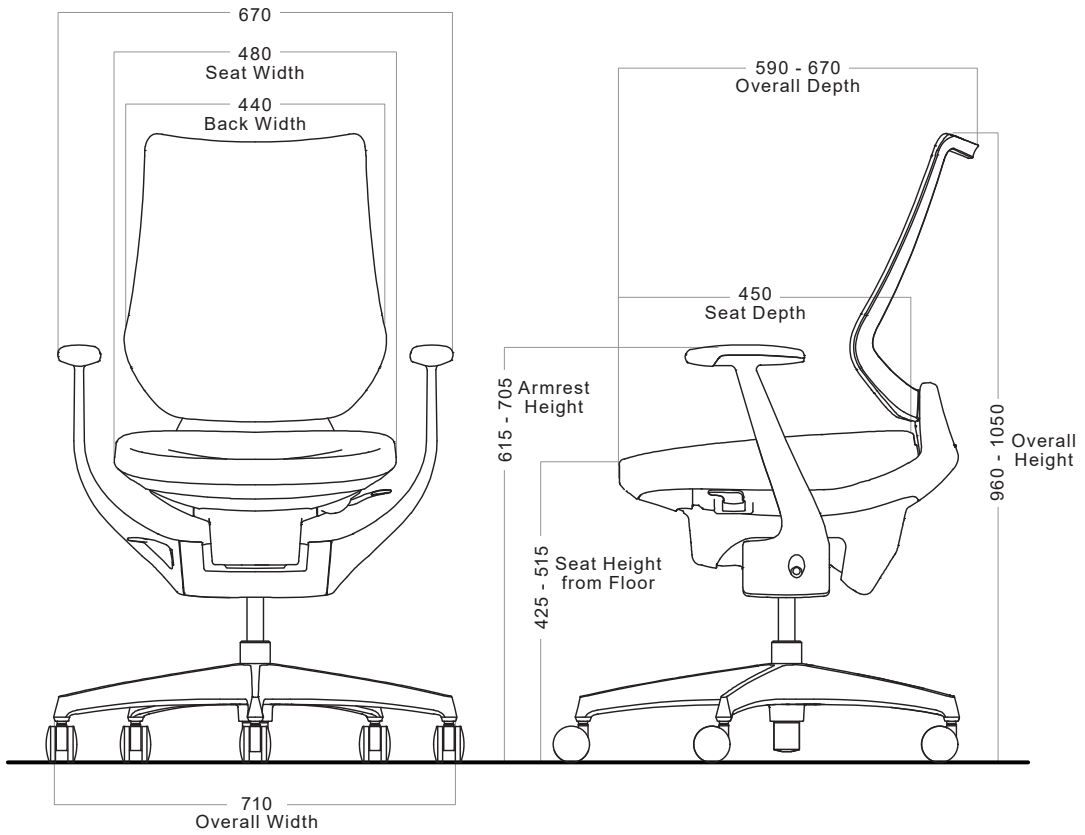




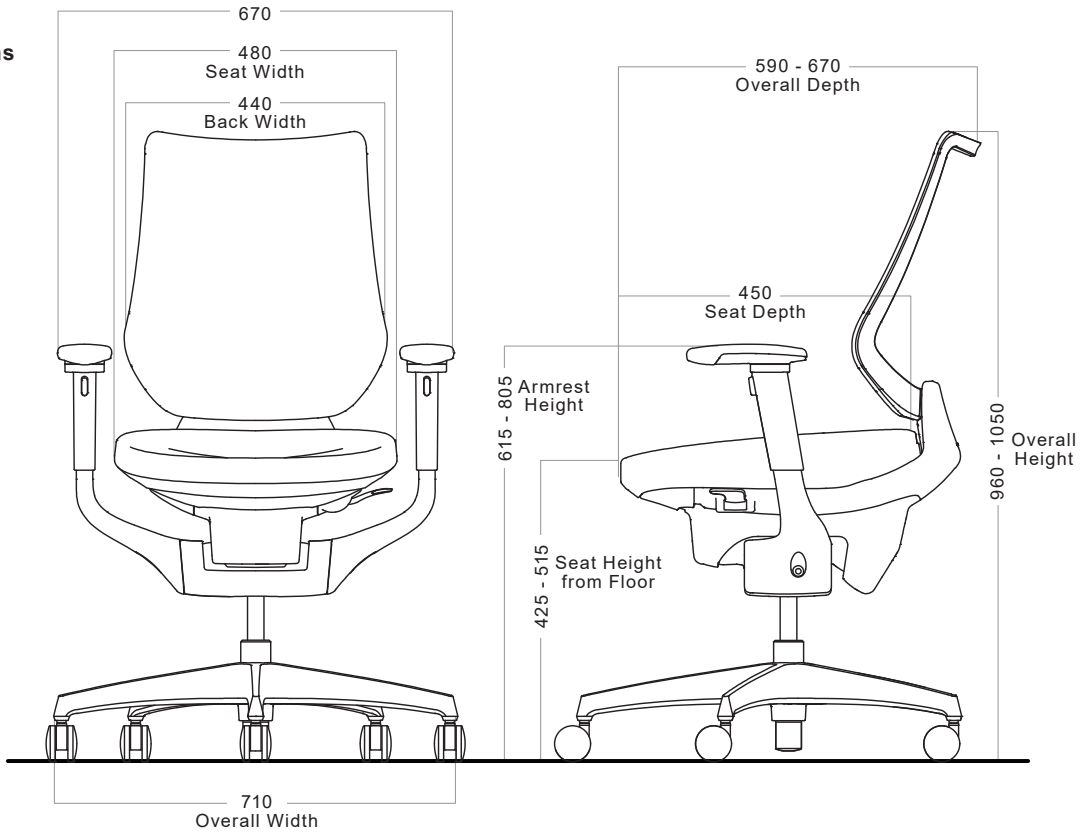
# 4 Dimensions (Gas Stroke 90)

## Mesh Type

### Tall Back / Fixed Arms



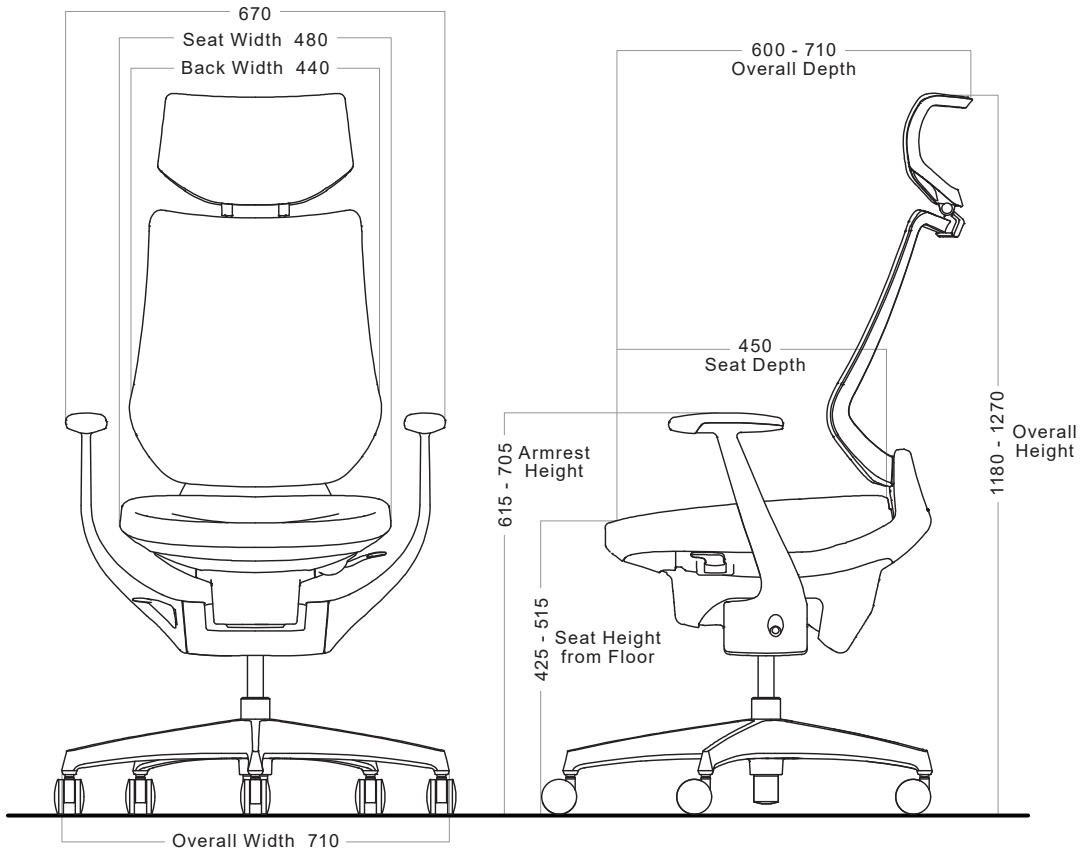
### Tall Back / Adjustable Arms



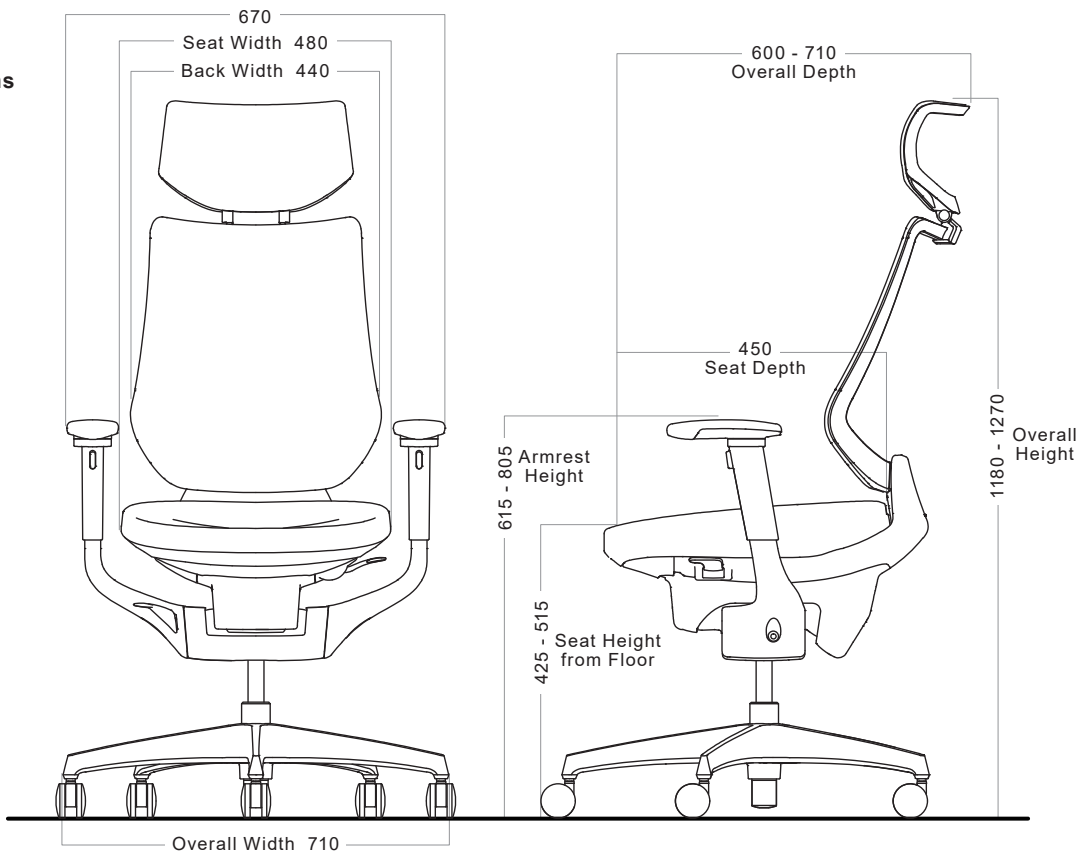
# 4 Dimensions (Gas Stroke 90)

## Mesh Type

**Tall Back  
(w/Headrest)  
Fixed Arms**



**Tall Back  
(w/Headrest)  
Adjustable Arms**



## 4 Dimensions (Gas Stroke 90)

mm

Features	Overall Depth	Overall Width	Overall Height	Seat Depth	Seat Width	Seat Height from Floor	Back Width	Back Height from Seat
<b>Fabric</b>								
Wide Back	580-640	710	830-920	455	480	425-515	510	405
Tall Back	590-670	710	960-1050	450	480	425-515	440	535
Tall Back with Headrest	600-710	710	1180-1270	450	480	425-515	440	735
<b>Mesh</b>								
Tall Back	590-670	710	960-1050	450	480	425-515	440	535
Tall Back with Headrest	600-710	710	1180-1270	450	480	425-515	440	735

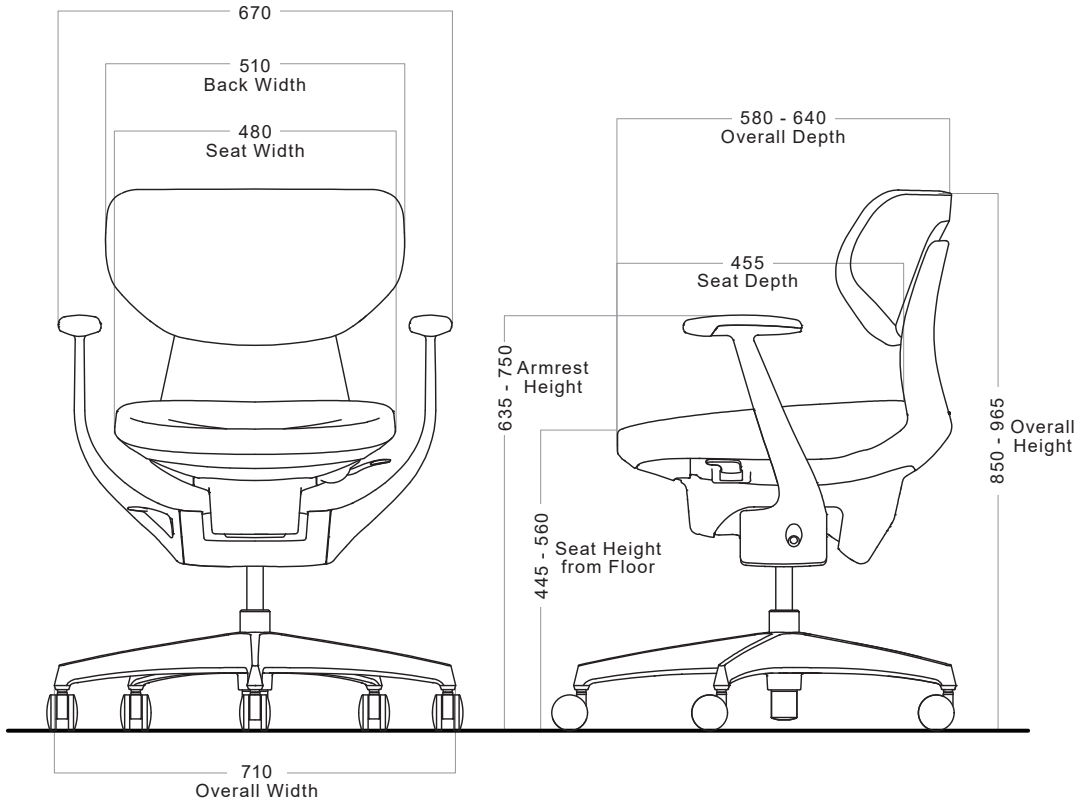
mm

Features	Width Between Adjustable Arms	Width Between Fixed Arms	Arm Height from Floor for Adjustable Arms	Arm Height from Floor for Fixed Arms	Arm Height from Seat for Adjustable Arms	Arm Height from Seat for Fixed Arms	Arm Cap Pivot Range
<b>Fabric</b>							
Wide Back	315-525	525	615-805	615-705	190-290	190	60°inward
Tall Back	315-525	525	615-805	615-705	190-290	190	60°inward
Tall Back with Headrest	315-525	525	615-805	615-705	190-290	190	60°inward
<b>Mesh</b>							
Tall Back	315-525	525	615-805	615-705	190-290	190	60°inward
Tall Back with Headrest	315-525	525	615-805	615-705	190-290	190	60°inward

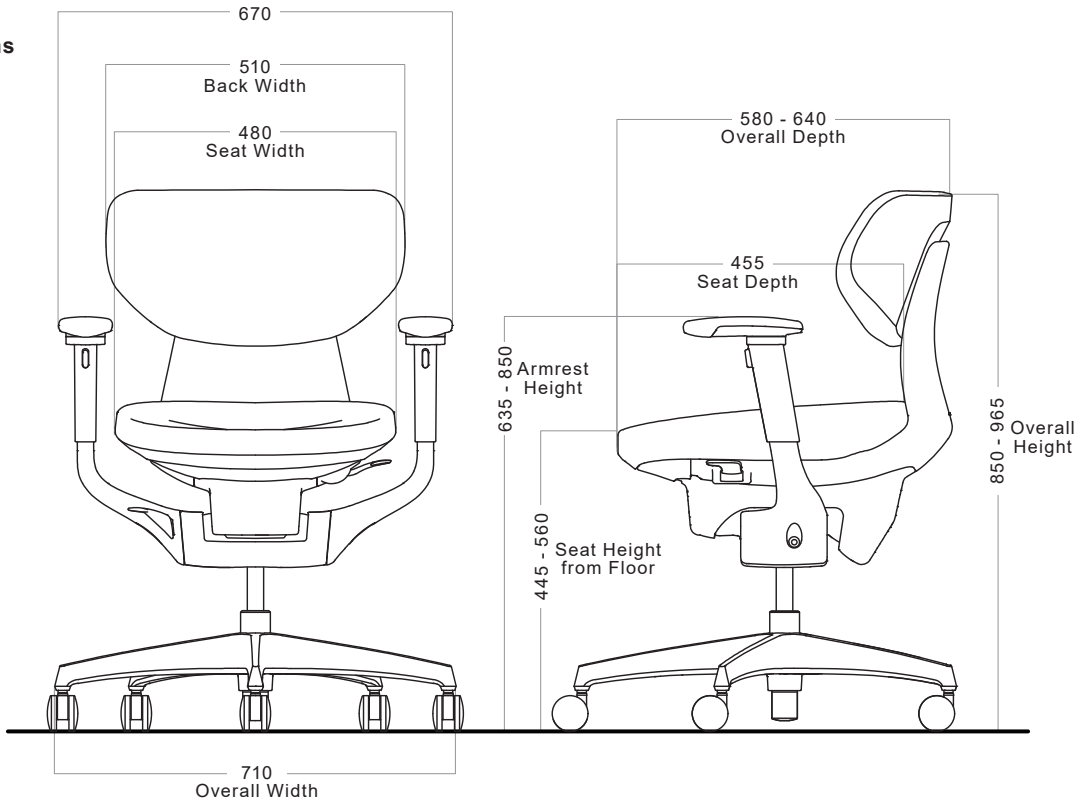
# 5 Dimensions (Gas Stroke 120)

## Fabric Type

### Wide Back / Fixed Arms



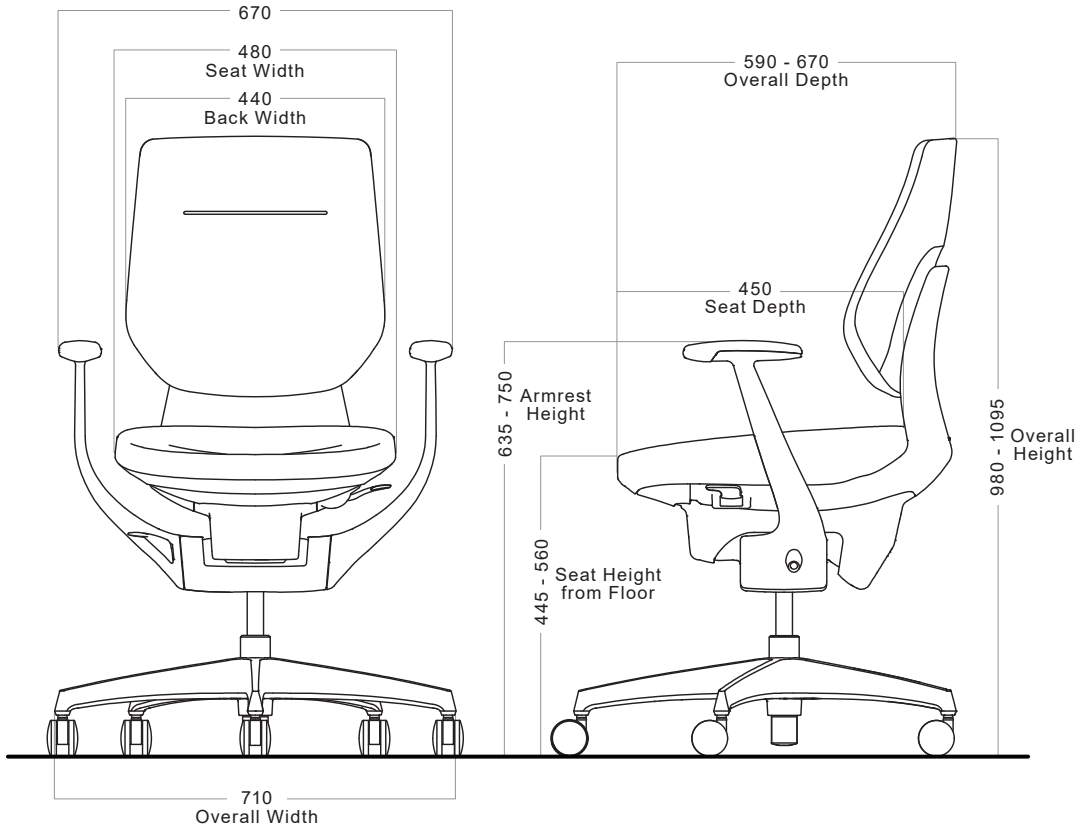
### Wide Back / Adjustable Arms



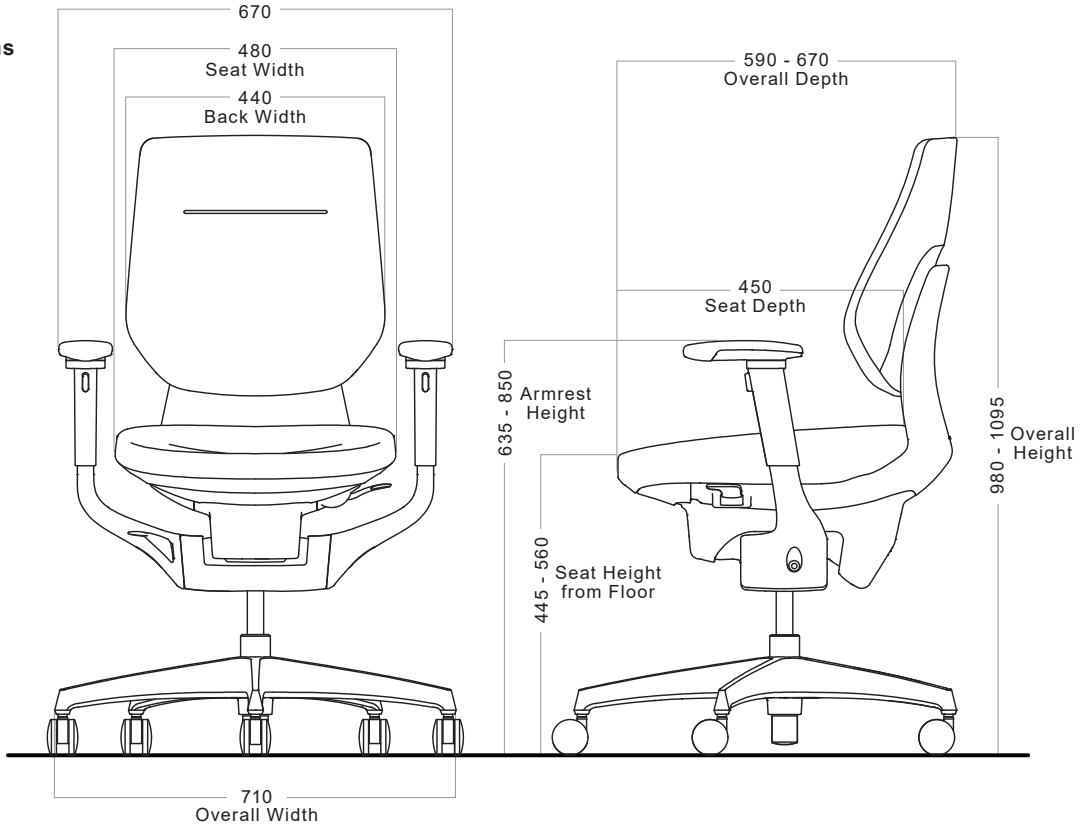
# 5 Dimensions (Gas Stroke 120)

## Fabric Type

### Tall Back / Fixed Arms



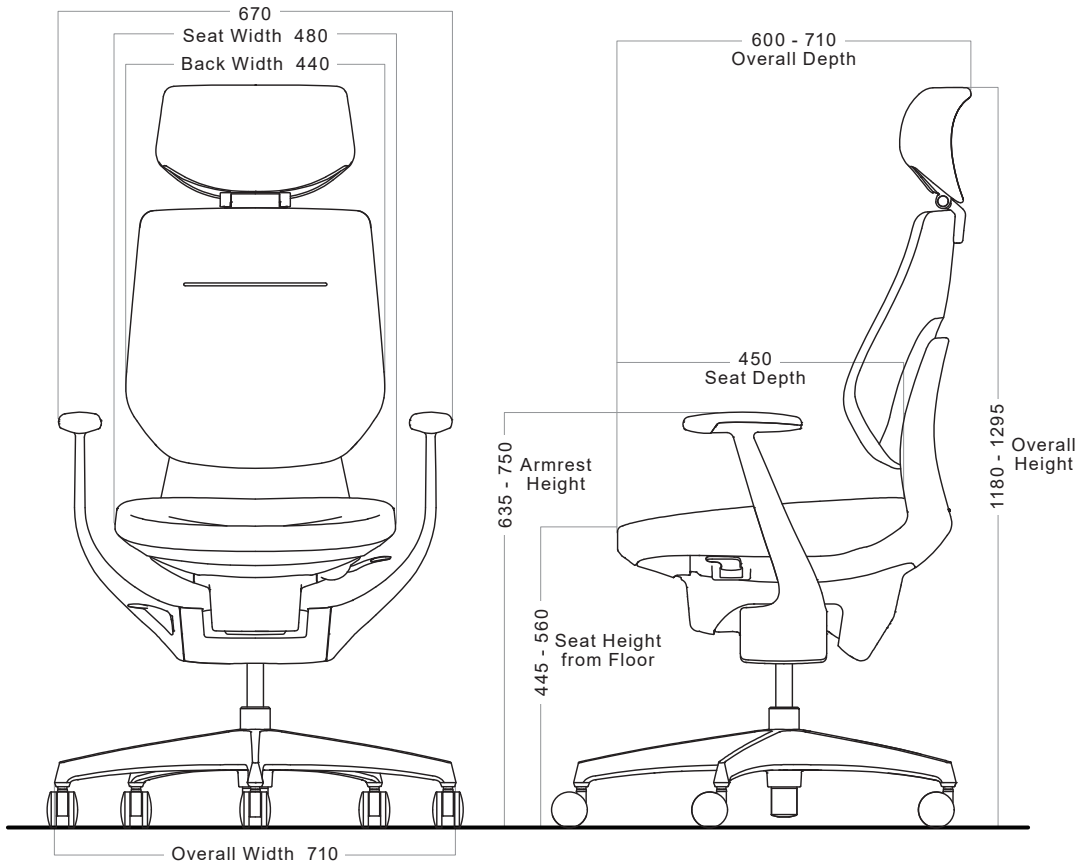
### Tall Back / Adjustable Arms



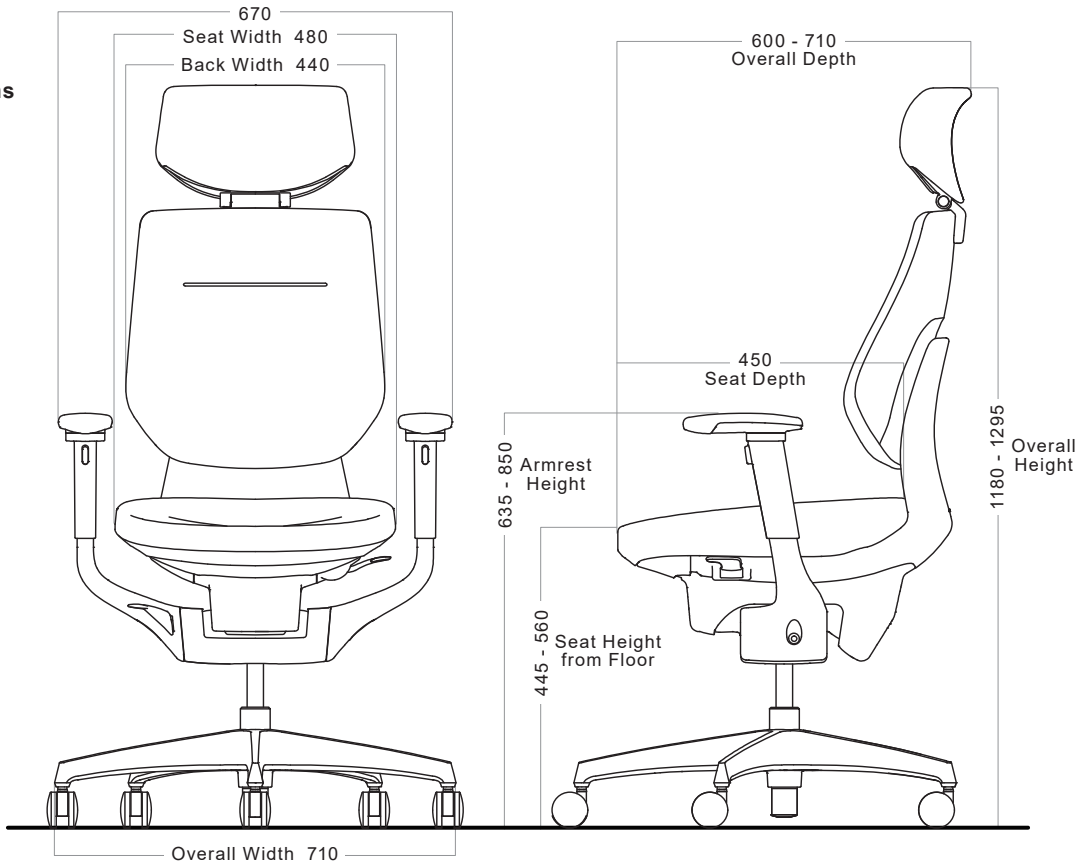
# 5 Dimensions (Gas Stroke 120)

## Fabric Type

**Tall Back  
(w/Headrest)  
Fixed Arms**



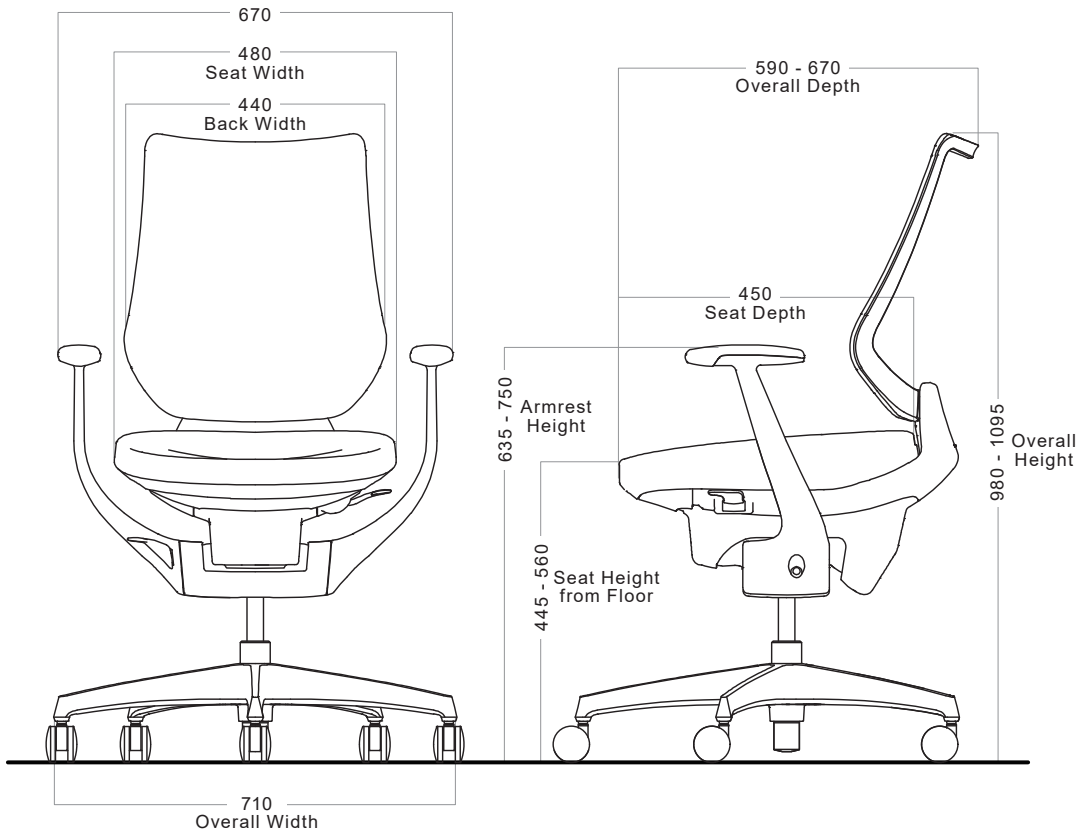
**Tall Back  
(w/Headrest)  
Adjustable Arms**



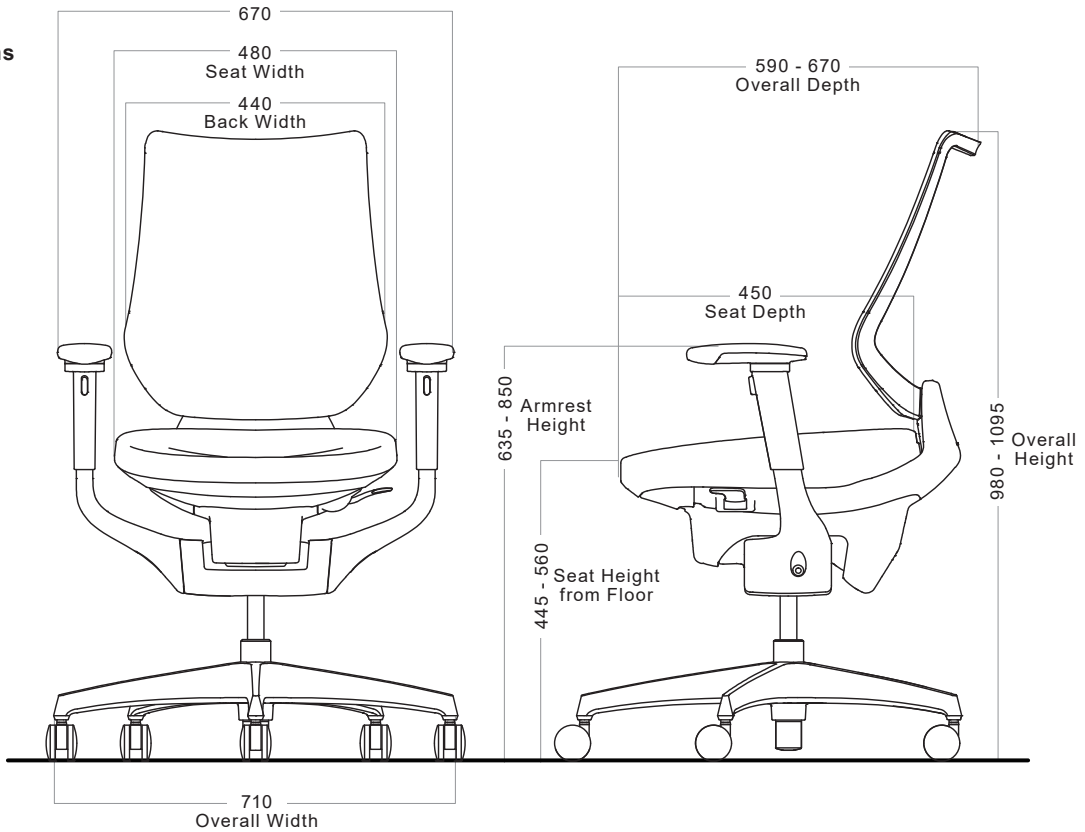
# 5 Dimensions (Gas Stroke 120)

## Mesh Type

### Tall Back / Fixed Arms



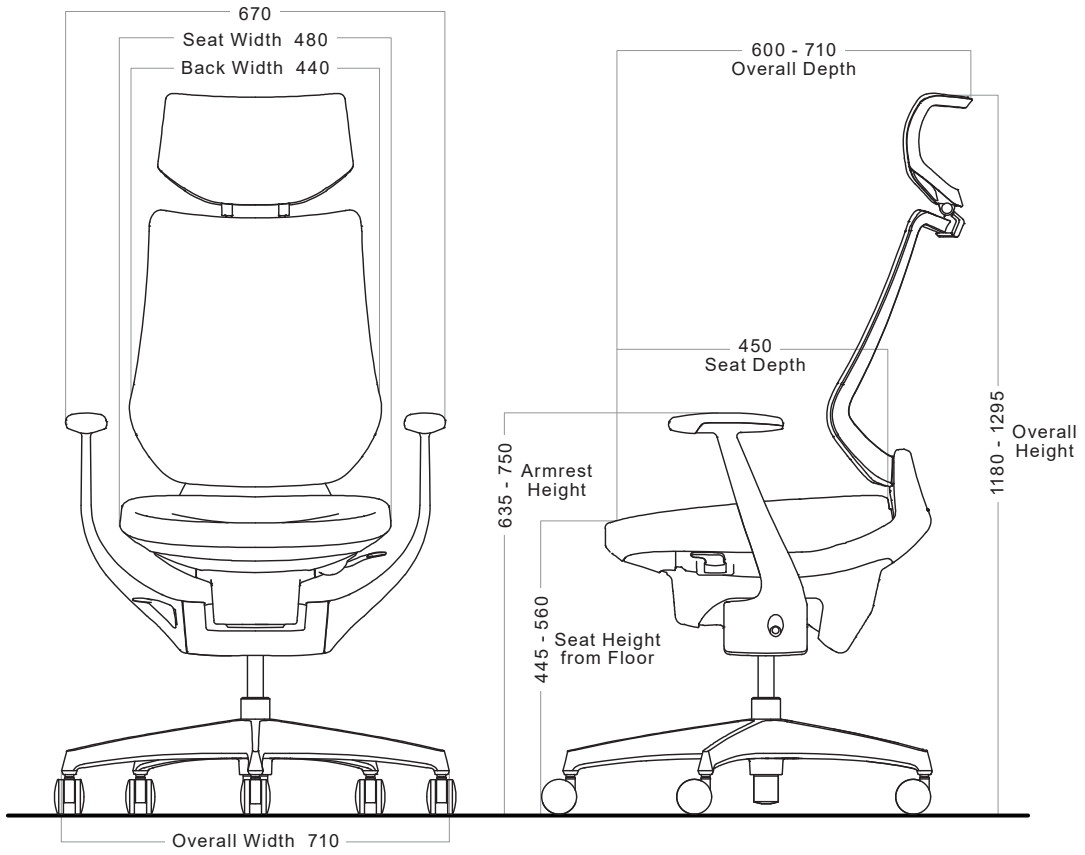
### Tall Back / Adjustable Arms



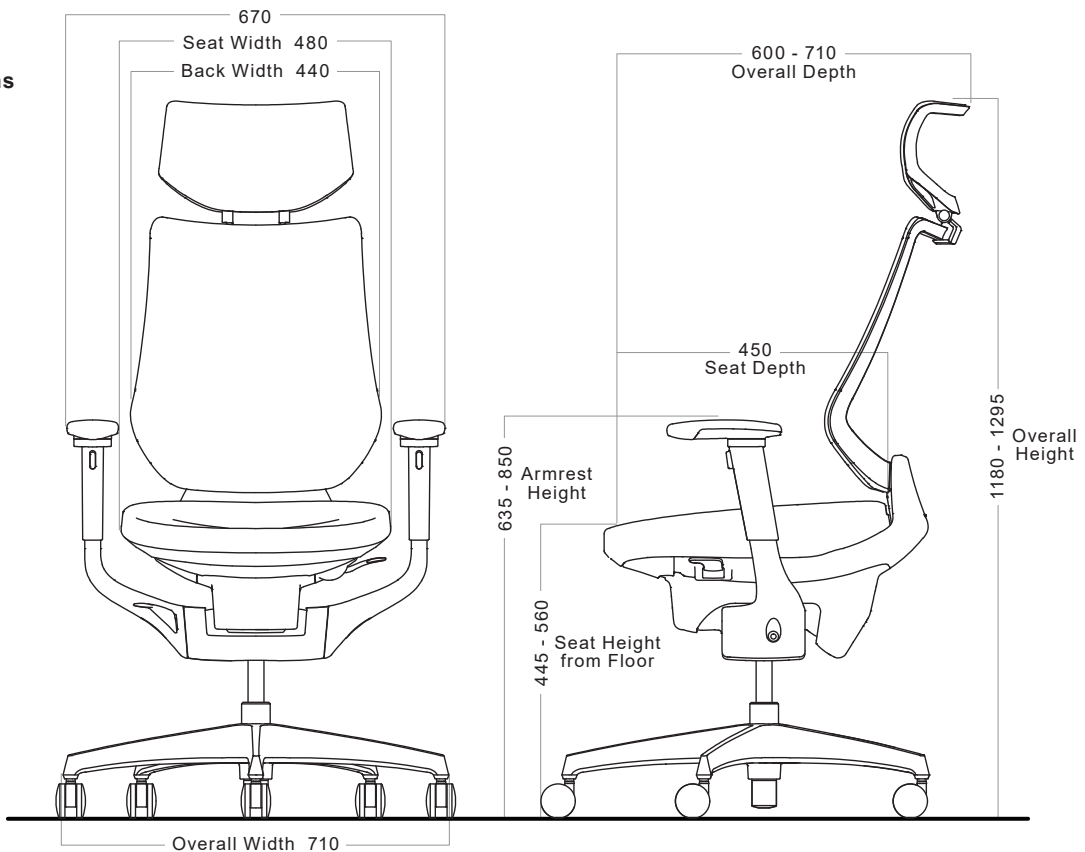
# 5 Dimensions (Gas Stroke 120)

## Mesh Type

**Tall Back  
(w/Headrest)  
Fixed Arms**



**Tall Back  
(w/Headrest)  
Adjustable Arms**





## 5 Dimensions (Gas Stroke 120)

mm

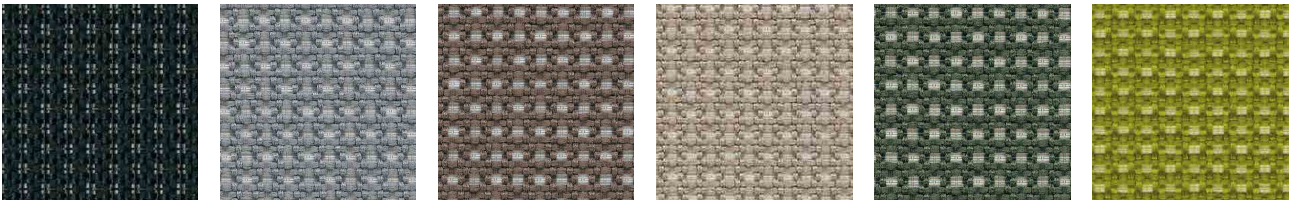
Features	Overall Depth	Overall Width	Overall Height	Seat Depth	Seat Width	Seat Height from Floor	Back Width	Back Height from Seat
<b>Fabric</b>								
Wide Back	580-640	710	850-965	455	480	445-560	510	405
Tall Back	590-670	710	980-1095	450	480	445-560	440	535
Tall Back with Headrest	600-710	710	1180-1295	450	480	445-560	440	735
<b>Mesh</b>								
Tall Back	590-670	710	980-1095	450	480	445-560	440	535
Tall Back with Headrest	600-710	710	1180-1295	450	480	445-560	440	735

mm

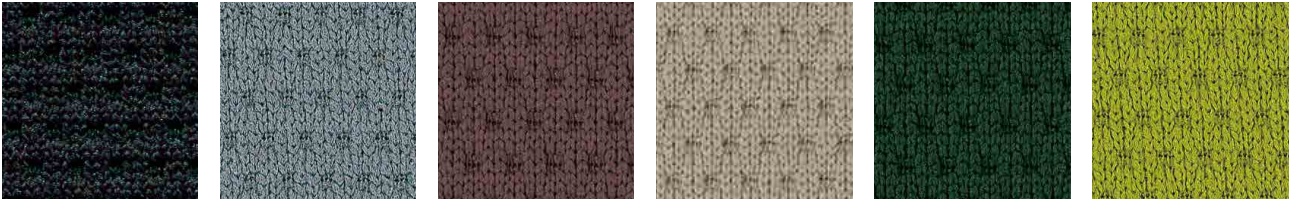
Features	Width Between Adjustable Arms	Width Between Fixed Arms	Arm Height from Floor for Adjustable Arms	Arm Height from Floor for Fixed Arms	Arm Height from Seat for Adjustable Arms	Arm Height from Seat for Fixed Arms	Arm Cap Pivot Range
<b>Fabric</b>							
Wide Back	315-525	525	635-850	635-750	190-290	190	60°inward
Tall Back	315-525	525	635-850	635-750	190-290	190	60°inward
Tall Back with Headrest	315-525	525	635-850	635-750	190-290	190	60°inward
<b>Mesh</b>							
Tall Back	315-525	525	635-850	635-750	190-290	190	60°inward
Tall Back with Headrest	315-525	525	635-850	635-750	190-290	190	60°inward

# 6 Material info

## Mesh



## Fabric



G4B6  
Black

G4E3  
Soft Gray

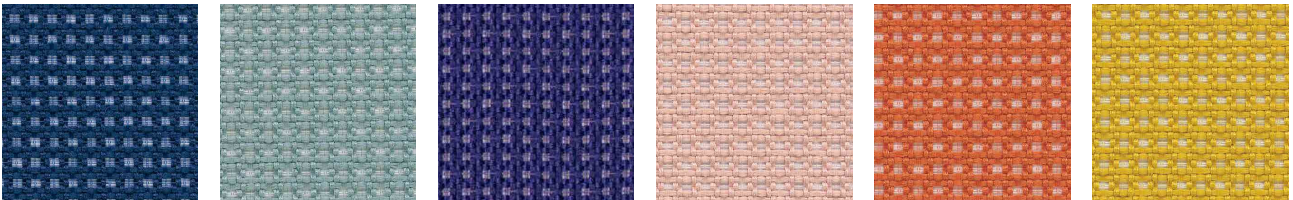
G4M6  
Dark Greige

G4MA  
Medium Greige

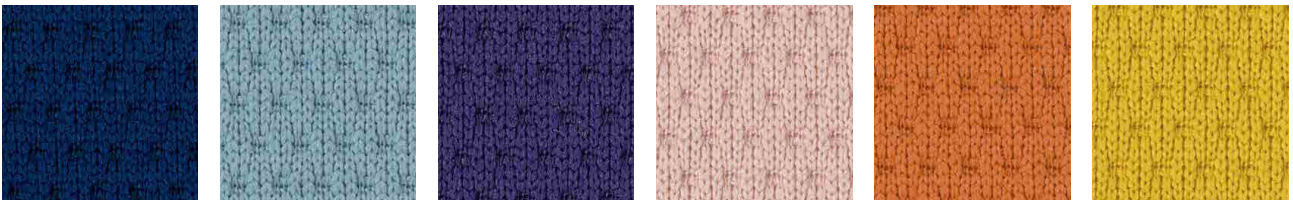
G4Q6  
Deep Green

G4Q4  
Light Olive

## Mesh



## Fabric



G4T7  
Navy

G439  
Ash Turquoise

G47E  
Deep Purple

G49G  
Ash Pink

G40T  
Soft Terracotta

G41S  
Olive Yellow

## Specifications

Item	Office chair ing Fabric Type	
Base type	Aluminum	Nylon
Backrest	Back plate: PP, Cushion: slab urethane, Upholstery: polyester	
Seat	Seat plate: PP, Cushion: mold urethane, Upholstery: polyester	
Armrest	Polished	Reinforced nylon
	Polyurethane skin mold	Polyurethane skin mold
Base	Polished	Reinforced nylon
	Casterφ60	Casterφ60

Item	Office chair ing Mesh Type	
Base type	Aluminum	Nylon
Backrest	Back plate: Reinforced nylon, Upholstery: polyester	
Seat	Seat plate: PP, Cushion: mold urethane, Upholstery: polyester	
Armrest	Polished	Reinforced nylon
	Polyurethane skin mold	Polyurethane skin mold
Base	Polished	Reinforced nylon
	Casterφ60	Casterφ60

# 7 Product options for Body and Leg

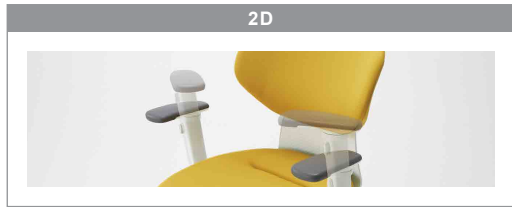
**STEP 1**  
Selecting back rest material



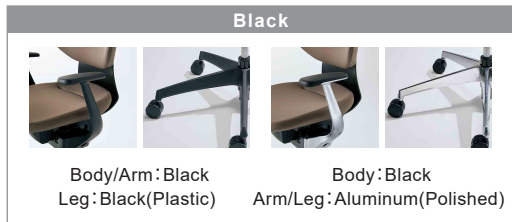
**STEP 2**  
Selecting back rest type



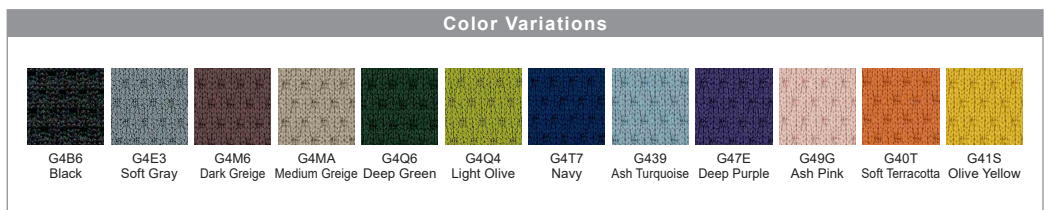
**STEP 3**  
Selecting armrest type



**STEP 4**  
Selecting body color



**STEP 5**  
Selecting seating color



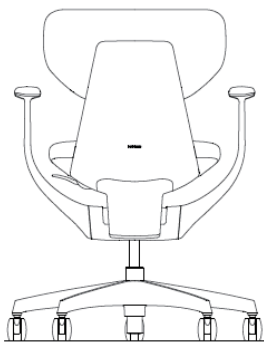
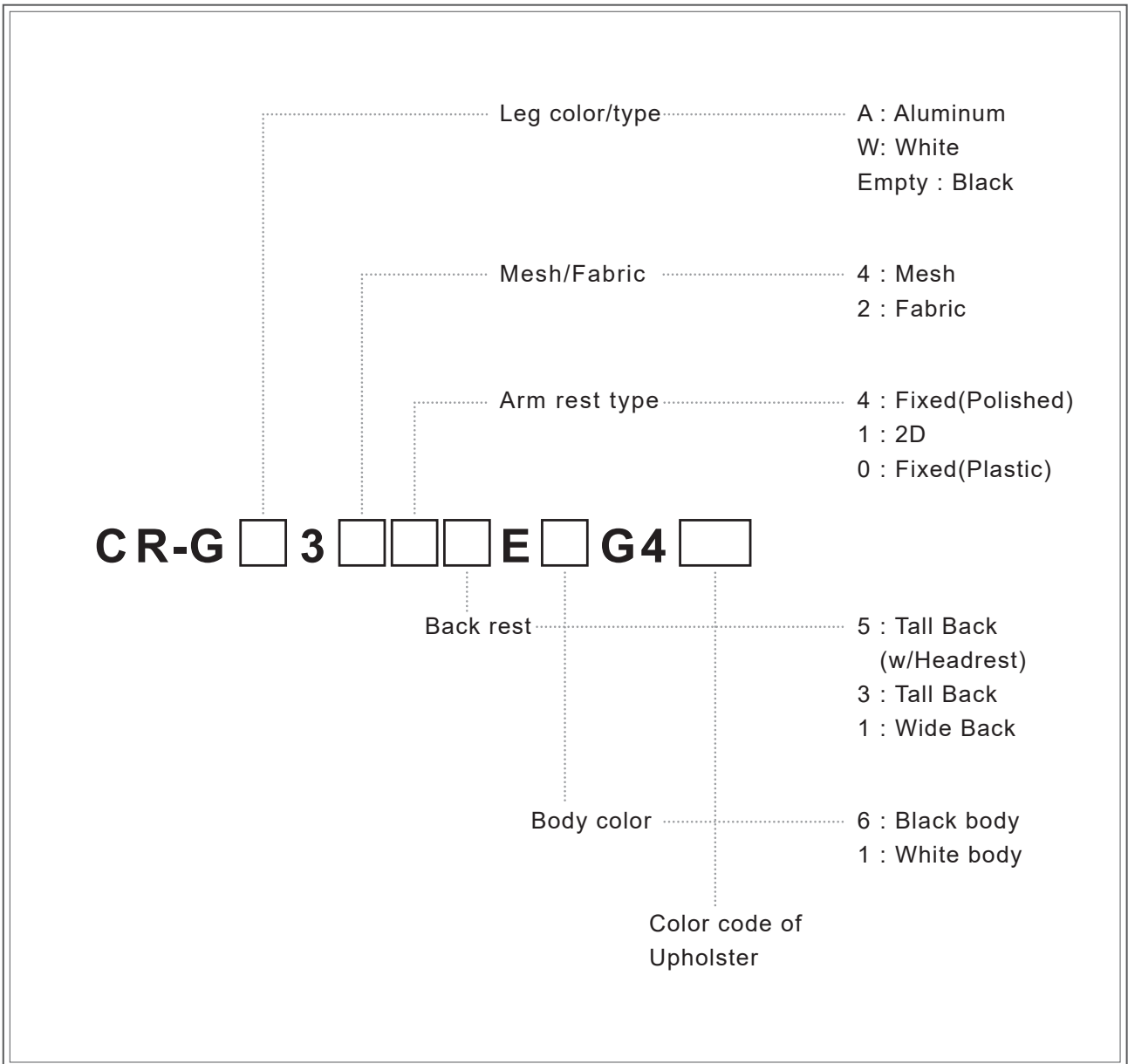
**STEP 6**  
Selecting caster type



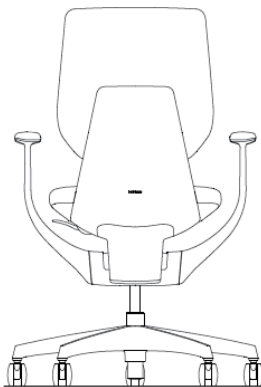
**STEP 7**  
Selecting hanger



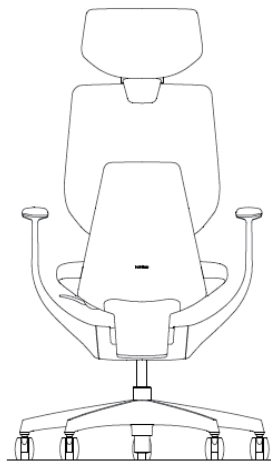
# 8 Code Logic



**Wide Back**

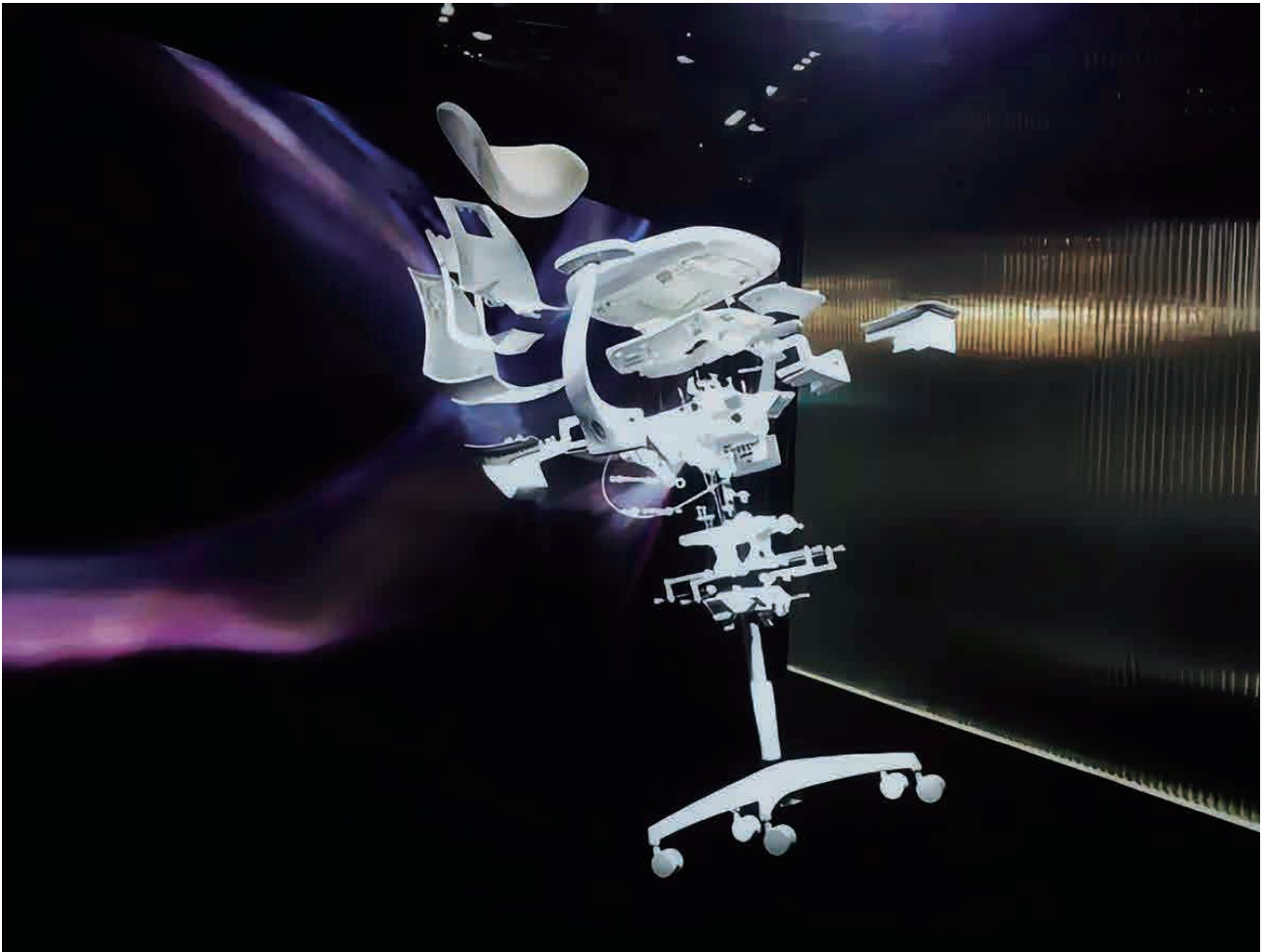


**Tall Back**



**Tall Back(w/Headrest)**

## 9 Recyclability



PRODUCT  
CERTIFIED FOR  
LOW CHEMICAL  
EMISSIONS:  
UL.COM/GG  
UL 2818

